

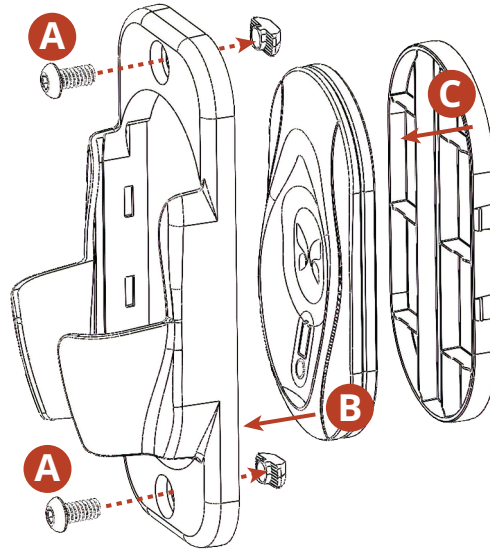
# Tryten Bracket for Butterfly iQ+

## Attaching the iQ+ bracket and charger

The iQ+ Bracket kit includes the bracket, two screws, two Z-nuts, and a plate to hold the charger in place.

Be sure you have the charger that came with your Butterfly iQ+ probe.

1. Remove the channel cover from the cart pole.
2. Insert the two screws through the bracket and thread the Z-nuts onto the screws (A).  
Keep the Z-nuts loose.
3. Place the charger into the bracket (B), then snap the rear plate on behind the charger (C).



4. Insert the Z-nuts into the channel on the pole.  
Move the bracket with charger up or down to the preferred height.
5. Using the provided hex key, tighten the screws.
6. Open the utility box on the pole and plug in the iQ+ power adapter.
7. Thread the power cable through the hole at the top of the utility box, then close the utility box.
8. Plug the power cable in to the charger in the bracket.

### To store and charge the probe:

1. Hold the probe with the lens facing up and the charge plate facing the pole.
2. Slide the probe into the bracket so that it makes contact with the charger.

**IMPORTANT:** Always clean and disinfect your probe according to manufacturer's instructions before storing it in the bracket.