



Tryten S-Series (S1 & S2) Assembly Instructions

Customer Service & Parts

800-437-6633




Email: parts.support@capsahealthcare.com




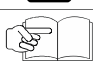

<https://www.capsahealthcare.com/service-support/>



Instruction Videos

Warnings







Severity	Hazard Meaning
	CAUTION – Indicates a hazardous situation – if not avoided, could result in minor or moderate injury
	WARNING – Indicates a hazardous situation – if not avoided, could result in death or serious injury
	DANGER – Indicates a hazardous situation – if not avoided, will result in death or serious injury

Symbol	Meaning
	IMPORTANT – Indicates a situation that does not present any hazard but is very important in maintaining a well functioning workstation
	ATTENTION – Indicates a potentially hazardous situation which may result in minor or moderate injury
	ELECTRICAL – Indicates an impending electrical hazard which, if not avoided, may result in personal injury, fire and/or death
	CROSS REFERENCE – Indicates more information on a particular subject is found on the page(s) indicated
	INFORMATION – Provides additional information concerning a specific task.

 **WARNING: ELECTRICAL CORD CAN BE HAZARDOUS!**

   	<ul style="list-style-type: none">  The optional power cord is rated for medical use. Connecting the cord to an outlet that is not medical grade (indicated with a green dot) will not ensure grounding protection.  Power cord and workstation are for INDOOR use only. DO NOT OPERATE OUTDOORS.  Keep power cord away from water. DO NOT PLUG CORD INTO OUTLET IF WET.  Inspect power cord before integration. DO NOT USE POWER CORD IF DAMAGED.  Fully insert power cord plug into outlet. DO NOT unplug by pulling on cord. DO NOT remove, bend or modify any metal prongs or pins of power cord.  DO NOT use excessive force to make mechanical or electrical connections.  DO NOT use an electrical extension cord with your workstation.  Properly stow the cord in the cord wrap to avoid potential injury or damage to the plug/insulation.
---	---

Warnings

-  Responsible organization refer to standard 60601-1 for requirements that are applicable to an medical device system.
-  To avoid the risk of electric shock, this equipment must only be connected to a supply main with protective earth.
-  Do not modify this equipment without authorization of the manufacturer.
-  Use of this equipment adjacent to or stacked with other equipment should be avoided because it could result in improper operation. If such use is necessary, this equipment and the other equipment should be observed to verify that they are operating normally.
-  This product can expose you to chemicals including Styrene and Lead which are known to the State of California to cause cancer. For more information go to www.P65Warnings.ca.gov
-  **DO NOT OPERATE PRODUCT IF WET.** If the PRODUCT becomes wet, unplug it immediately, wipe off any excess liquid and allow it to dry before using again.

Assembly Instructions	Page
Receiving the Shipping Box	7
Assembling Pole to Base	8
Assembling Handle to Pole	8
Universal OmniTab Adjustment	9-11
Removing the Channel Strips	12
S2 Universal OmniTab Installation	12
Utility Box and Cabling Installation	13
Device Height Adjustment	14
Work Surface Installation	15
Supply Caddy and Small Device Holder Installation	16-18
Fixed VESA Bracket and Monitor Installation	19
S2 VESA Plate Installation	19
Wire Basket Installation	20
Poly SY20 Speaker Installation	20
Butterfly Bracket Installation	21
Speaker Mount Installations	22-23
Arm Travel Limiter Installation	24

Introduction – Statement of Use

The Tryten S-Series carts are designed and manufactured by Capsa Healthcare. Capsa Healthcare's goal is to elevate your performance by offering innovative solutions that help optimize healthcare workflows and improve patient care.

- The Tryten S1/S2 carts are designed for safe use of tablets or monitors by clinicians or patients in general patient areas. The carts may also have cameras, speakers and/or other devices mounted on them.
- The Tryten S1/S2 carts are not intended for home use.
- The responsible organization shall refer to standard 60601-1; assembly of ME SYSTEMS and modifications during the actual service life that require evaluation to the requirements of this standard

To ensure safety, please read this manual carefully before installation and follow the instructions herein. Store this manual in a secure place for future reference.

The manufacturer shall not be legally responsible for any equipment damage or personal injury caused by incorrect installation or operation other than that covered in this manual.

While Capsa Healthcare strives to provide complete and accurate information, it will not be held liable for any editorial errors or omissions.

Capsa Healthcare reserves the right to make changes to the documentation without advanced notice to the customer.

Specifications and product attributes are subject to change without notice.

Capsa Healthcare
4253 NE 189th Avenue
Portland, Oregon 97230
Customer Service: 800.437.6633
Web site: www.capsahealthcare.com

HARDWARE PACK

- Felt Pads – 3/4" x 1/8" thick (6)
- Label Hardware Kit (1)
- Hex L-Key - 3/16" size (1)
- Torx Security L-Key - T25 (1)
- Hex L-Key - 5/32" size (1)
- Keys Set Tablet Cart (1)
- Screw 10-24 x 3/4" Security Torx, Button head, SS (1)
- Screw 1/4-20 by 1" Socket Head, Zinc (4)
- Belleville (dome) Washer 1/4" 18-8 SS (4)

ADDITIONAL TOOLS NEEDED FOR INSTALLATION

- Scissors for cutting channel cover to length

ASSEMBLY INSTRUCTIONS

Note: Shipping box pictures show S1 Cart for assembly reference. Configurations may vary, but the installation process will be similar.

INSTALLATION OF ACCESSORIES TO THE CARTS

Note: When installing accessories, the Z or T-Nut has to be loose and aligned vertically (up/down) when inserted into the extrusion channel. Once adjusted at the desired height, tighten the screw until it is fully locked to the extrusion. Always verify that the nut is aligned horizontally (left/right) when fully tightened.



1. RECEIVING THE SHIPPING BOX

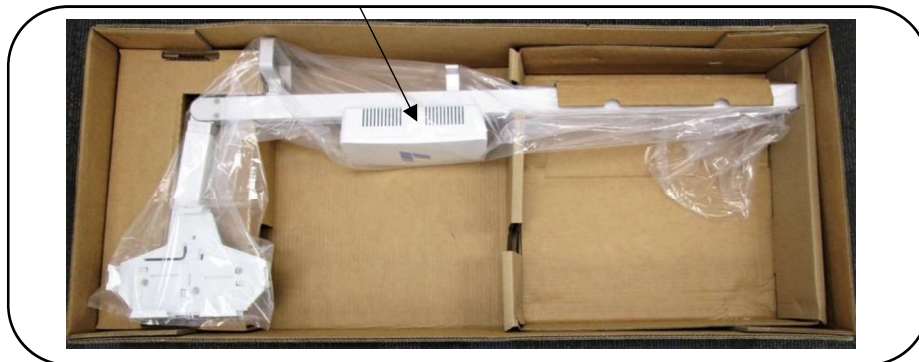
- Base.



- Extract the Hardware pack, handle, and accessories

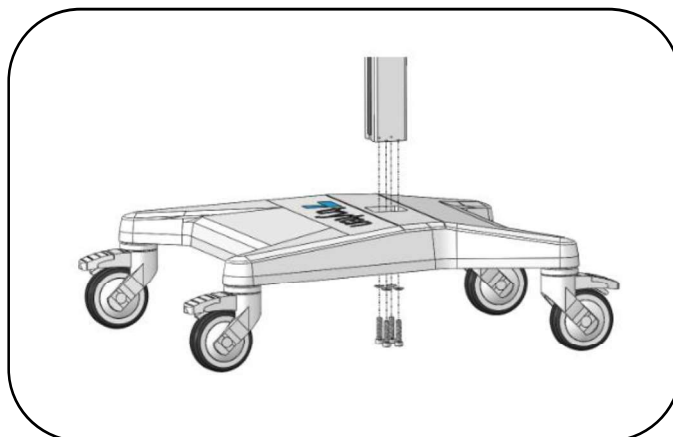


- Remove Pole Assembly from packaging.



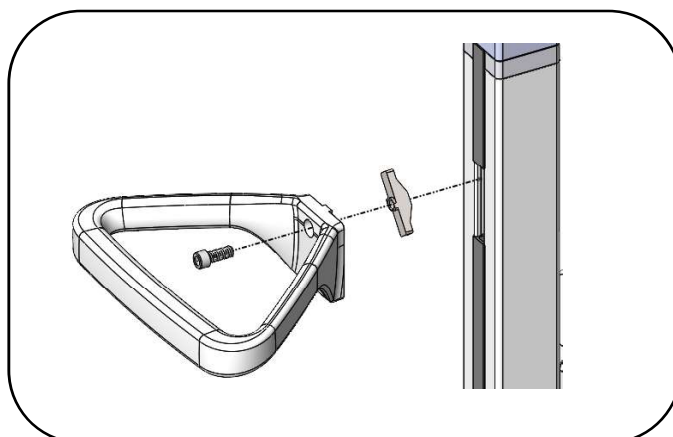
2. ASSEMBLING POLE TO BASE

- Assemble the Pole to the base with the four (4) screws and dome washers using the 3/16" Hex L-Key from the Hardware Pack.



3. ASSEMBLING HANDLE TO POLE

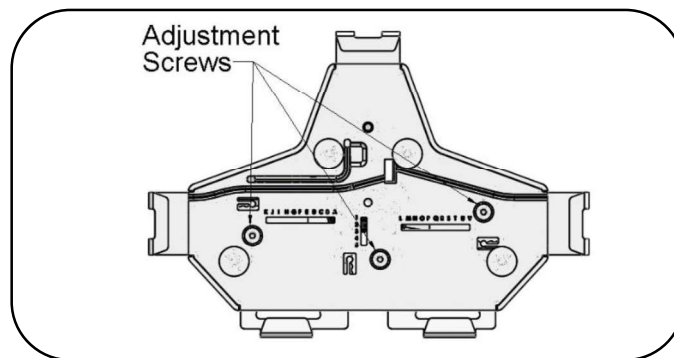
- Assemble the Handle to the Pole using the 3/16" Hex L-Key from the Hardware Pack.



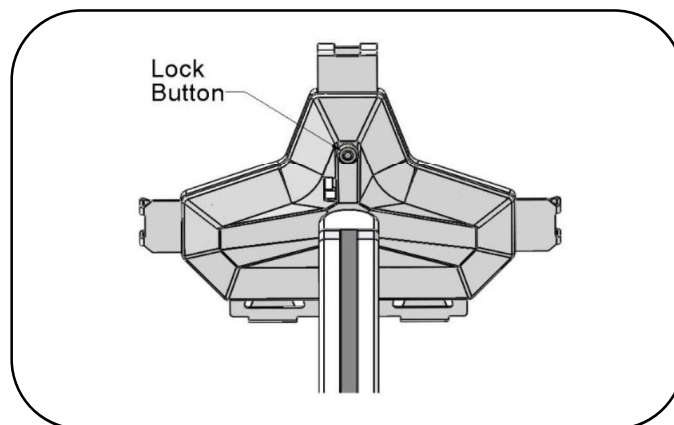
4. A) UNIVERSAL OMNITAB ADJUSTMENT

The Universal bracket comes adjusted to fit the standard iPad 9.7

- Unlock the Top Slider using the set of keys from the Hardware Pack. Remove the Top Slider from the Universal Bracket.
- Loosen the three (3) screws using the 1/8" Hex L-Key from the front of the cover.

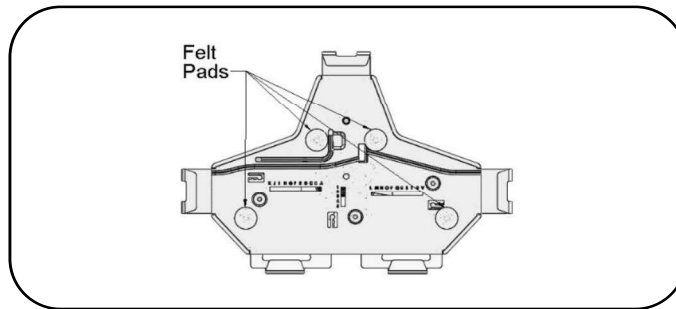


- Pull the sliders to the appropriate size tablet.
- Tighten the three (3) adjustment screws.
- Insert tablet by sliding in from the top.
- Insert the Top Slider until it locks in the tablet and push the locking button.

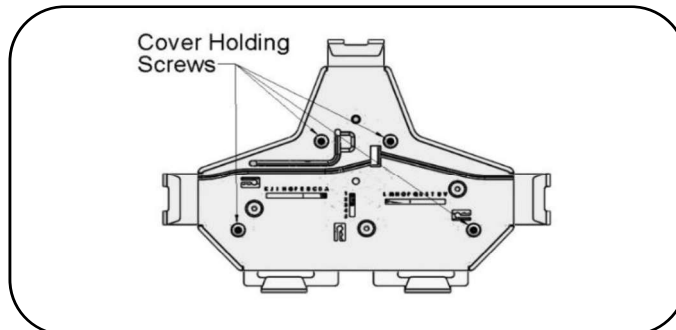


4. (B) INSTALLING 2ND SET OF SLIDERS FOR TABLET WITH CASE

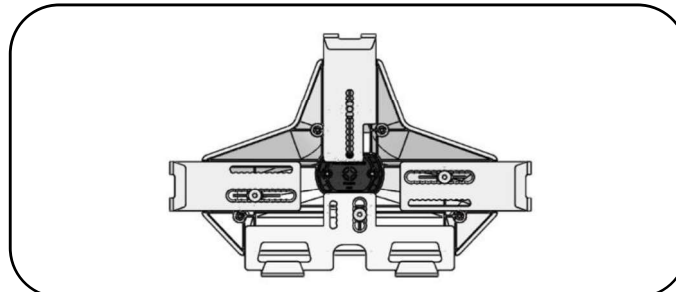
- Remove the four (4) Felt Pads from the Universal Bracket.



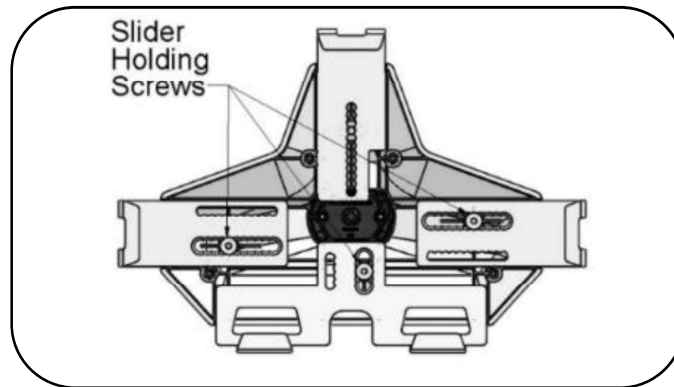
- Remove the four (4) screws holding the cover of the Universal Bracket using the 1/8" Hex L-Key from the front of the cover.



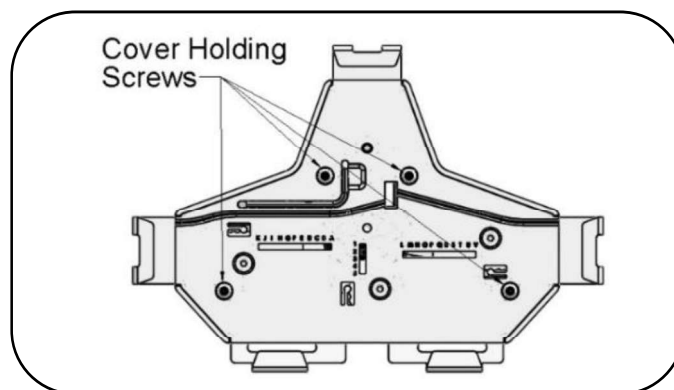
- Remove cover and the three (3) screws holding the sliders using the 1/8" Hex L-Key from the front of the cover.



- Remove the four (4) sliders and replace with the set of sliders from Hardware Pack.
- Install the three (3) Screws holding the sliders using the 1/8" Hex L-Key from the front of the cover.

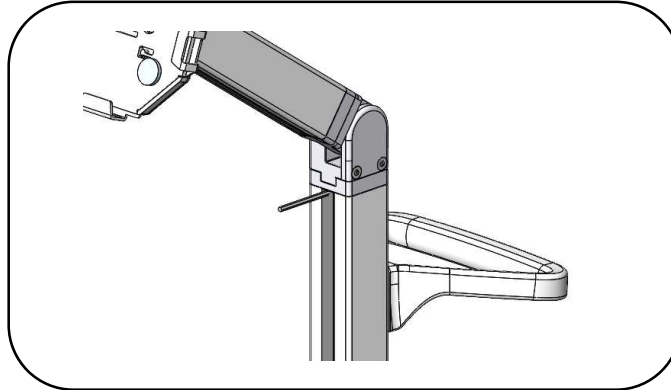


- Put back the cover and install the four (4) screws removed at step b) using the 1/8" Hex L-Key from the front of the cover.
- Apply the set of felt pads supplied in the hardware pack on top of the screws.
- Adjust sliders and install tablet, following the instructions from Step 3A.



5. REMOVING THE CHANNEL STRIPS

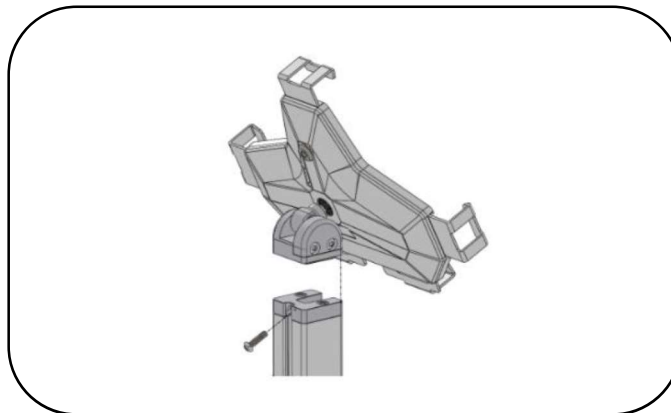
- Insert one (1) of the smaller Allen L-Keys behind the top of the channel cover to pull out of the pole. Reinstall covers after the power cords are in place.



Note: Channel Cover Strips will need to be adjusted if accessories are installed.

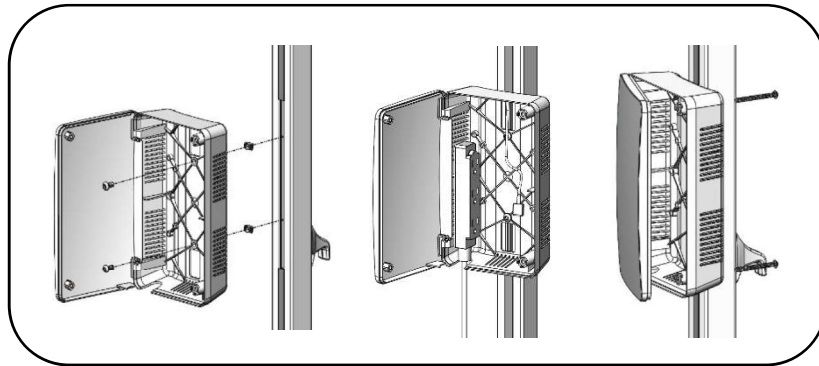
6. S2 UNIVERSAL OMNITAB INSTALLATION

- Extract the S-Series head from packaging box and the Torx Security Button Head Screw from the Hardware Pack.
- Assemble the S-Series head as shown using the Torx Security L-Key provided in the Hardware Pack.
- Tighten the screw until it is fully engaged.



7. UTILITY BOX AND CABLING INSTALLATION

- Install Utility box by loosening Z-Nuts, insert Z-Nuts into extrusion channel, slide box up or down to desired height and tighten screws.
- Open box by using Torx Security L-Key, loosen two (2) screws from the back of the Utility Box until cover swings open.
- Install 9' Green Dot Hospital Grade Power Extension Cable as shown (see middle image).
- Install tablet's power cable through hole and up the channel as shown.
- Close door back in place and re-install the screws from back.



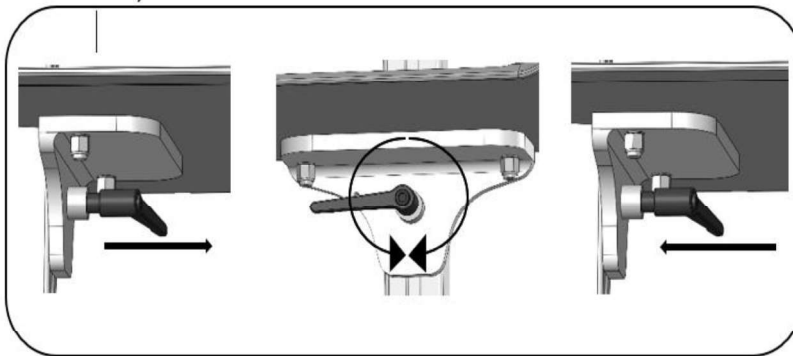
STORING THE POWER CORD

When the cart is not in use, or tablet is not being charged, the extension cord should be wrapped and stored on the unit. Wrap the cable firmly around the upper handle and lower handle cord wraps located on the back of the unit pole.

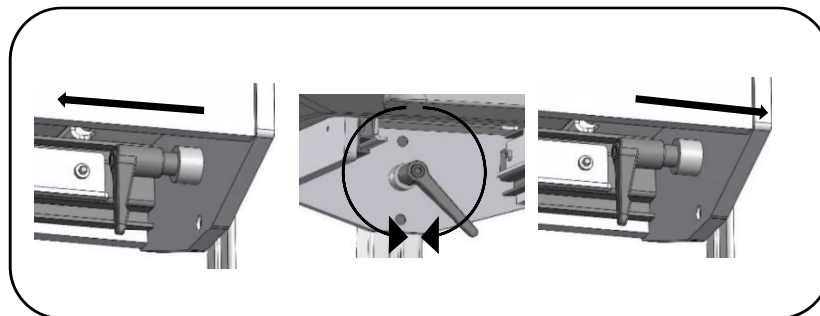
8. DEVICE HEIGHT ADJUSTMENT

- In order to adjust the height of the surface or keyboard tray, the handle may need to rotate to add more turns. The handle is spring loaded so it can be rotated to a different position to tighten the assembly. With assembly loose, move assembly to desired height. Tighten the handle and lock the device in place by turning the handle clockwise. If the handle cannot turn anymore and the assembly is not yet tight, pull the handle out (image 1), rotate counterclockwise and release handle back in place (image 3) to tighten the assembly. Repeat process until device is fully tightened.

Work Surface for S-Series

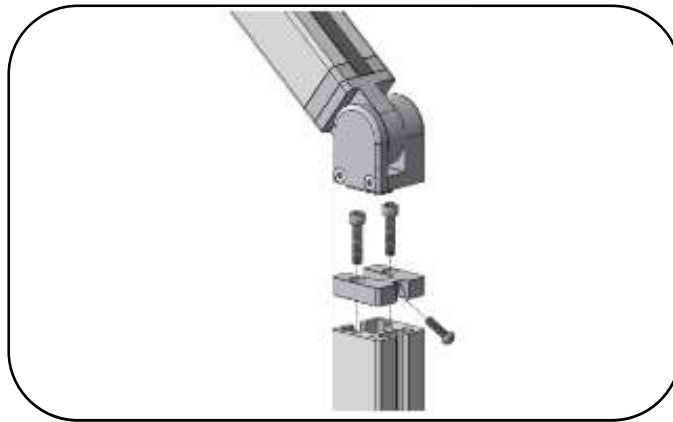


Keyboard & Mouse Tray

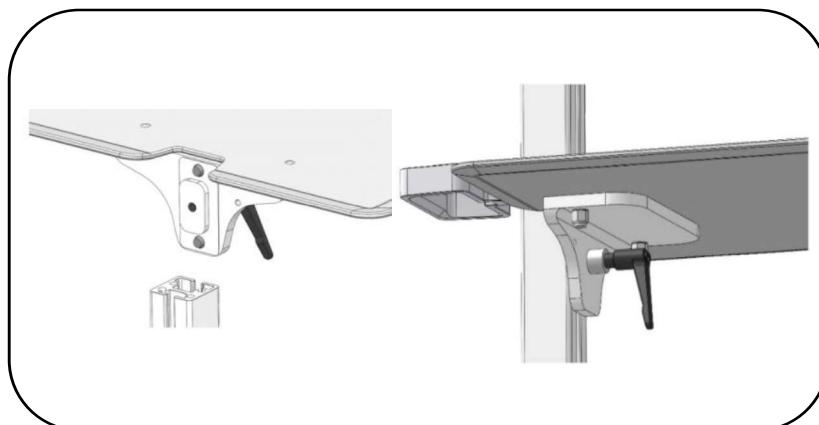


9. WORK SURFACE INSTALLATION

- Remove channel cover strip (ref. point 5).
- Remove articulating arm or tall pole with one (1) screw using Torx Security L-Key provided in hardware pack.
- Remove extrusion adapter by removing two (2) 1/4" screws with 3/16" Hex L-Key provided.



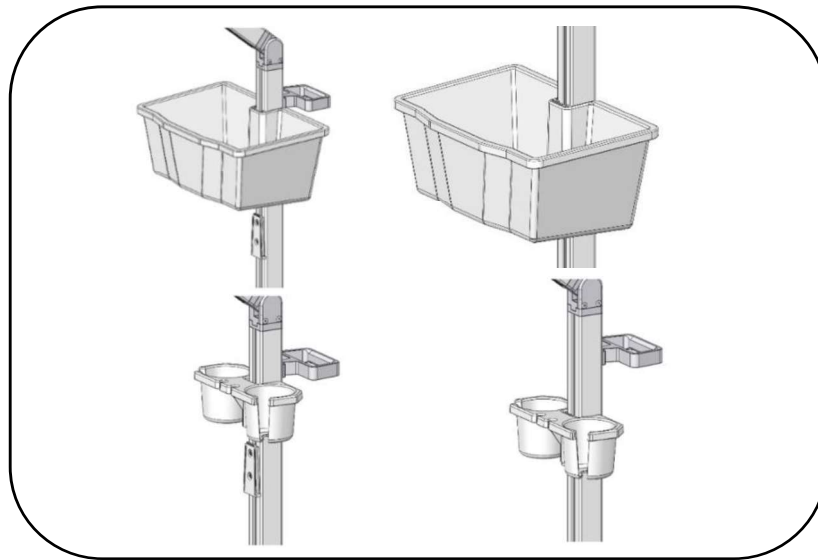
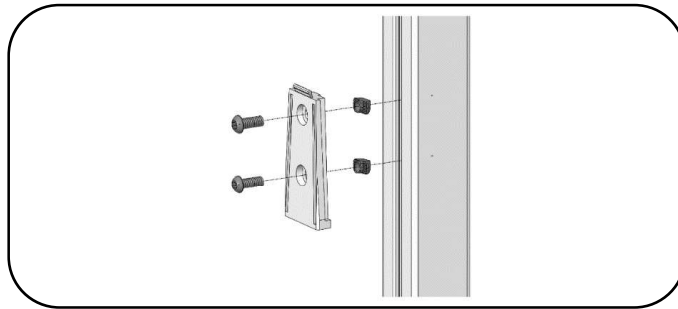
- Slide Work Surface down from top and secure at desired height (ref. point 8).
- Reinstall Extrusion Adapter and Arm.



10. SUPPLY CADDY & SMALL DEVICE HOLDER INSTALLATION

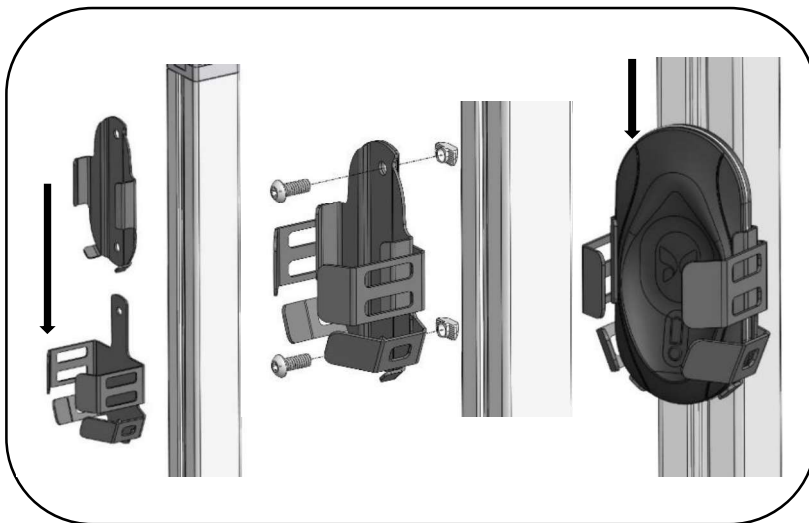
The Supply Caddy and Small Device Holder each come in two (2) parts – the Caddy/Holder and the Mounting Bracket and Hardware to attach to the pole.

- Remove channel cover strip (ref. point 5).
- Install Caddy/Holder bracket with two (2) 1/4" Screws and two (2) Z-Nuts as shown below with 5/32" L-Key provided in hardware pack.
- Adjust bracket to desired height and tighten screws.
- Slide the Supply Caddy or Small Device Holder onto the Mounting Bracket from above until it snaps in place.



15. BUTTERFLY BRACKET INSTALLATION

- Remove channel cover strip (ref. point 5).
- Slide inner bracket into outer bracket until the two (2) screw holes line up.
- Insert two (2) screws into holes and thread two (2) nuts onto the two (2) screws but keep loose.
- Place Z-Nuts into the extrusion channel, move bracket up or down to desired height.
- Tighten bracket to extrusion with two (2) screws and two (2) Z-Nuts.
- Slide charger onto bracket until firmly in place.



Preventative Maintenance – Inspection Checklist

To protect optimal performance, Capsa Healthcare recommends a periodic inspection and preventative maintenance of your computing cart fleet. These simple steps can safeguard against breakdowns and help you realize uninterrupted workflow and cart availability.

Items	Action	Benefit
Inspect tablet or monitor adjustment	Check movement and adjustment of tablet or monitor, including full range of motion.	Facilitates simple height and ergonomic adjustments; ensures comfortable use by clinical staff.
Casters	Check casters for proper tightness, ensure casters are free of dirt and grime and operate smoothly.	Mitigates risk of injury due to loose casters. Ensures proper maneuverability of the workstation.
Inspect mounted accessories	Check for secure fit to mount area and tighten if necessary.	Ensure stable accommodation of peripheral device holders and other accessories and supplies.

Trouble Shooting

Problem	Solution
Tablet or Monitor is Hard to Adjust	If it is difficult to move the tablet or monitor, the mount (and arm, if applicable) may need adjustment. File a service request with your IT department for service.

Cleaning

Clean Capsa Healthcare products regularly according to infection control guidelines and protocols. Capsa Healthcare products are designed to be chemical and spill-resistant and easy to clean. Components are manufactured from the highest grade, non-porous, chemical resistant ABS (acrylonitrile, butadiene and styrene) plastic, and from smooth, chemical resistant powder-coated steel and aluminum. Although high-touch components (work surface, handles, wrist rest) on certain Capsa Healthcare products incorporate anti-microbial additives, it is not recommended to rely solely on those additives for infection control and proper hygiene.

Most common disinfectant wipes and diluted cleaning solutions that are safe to use in patient care environments are also acceptable to use for cleaning Capsa Healthcare products' exterior surfaces.

Recommendations

- Wear the required PPE (Personal Protective Equipment)
- Understand the precautionary statements
- Follow the directions for use, including pre-cleaning instructions
- Follow the contact guidelines
- Refer to the SDS (Safety Data Sheet) as necessary
- Consult your Infection Control Administrator for cleaning procedures and processes
- Clean plastic components with diluted, non-abrasive solutions
- Remove pen and dry erase marker stains with a soft cloth and 91% isopropyl alcohol
- Remove iodine stains with a soft cloth and any of the suggested cleaners
- Allow your cart to dry completely before plugging the power cord into a wall outlet
- When cleaning the cart, wipe off the surface with a damp cloth and thoroughly dry
- Avoid excess dampness and never immerse the cart or its components in liquid or allow liquids to flow into the cart
- Never use steel wool or other abrasive materials as these could damage the surface finish
- Before using any cleaner on the cart, first test it on a small area to ensure that the surface is not harmed

Cleaning of High Touch Point Items


- The work surface is fully removable to facilitate cleaning
- The back handle is fully removable
- The keyboard & mouse tray are easy to wipe down.

Recommended Cleaning Solutions

Quaternary Ammonium	Peroxide-Based	Alcohol-Based
<ul style="list-style-type: none"> • Metrex™ CaviWipes™ • Metrex™ CaviCide™ • PDI® Sani-Cloth® AF/Plus • PDI® Super Sain-Cloth® • EnVerros SaniMaster 4® • Virex® 256 • DisCide® • Safetec® SaniZide Disposable Wipe Products • Envirocide® 	<ul style="list-style-type: none"> • Hydrogen Peroxide • Virox® 5 • Steriplex SD® • Accel® TB 	<ul style="list-style-type: none"> • Isopropyl Alcohol • Simple Green®

Cleaning Agents and Chemicals to Avoid

- Non-Diluted Bleach or Chemicals
- Acetone
- Mineral Spirits
- Abrasive Cleaners
- Baking Soda
- Paint Thinners/Solvents
- Any Flammable or Toxic Chemicals

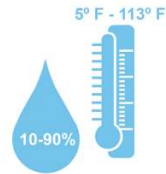


<167° F

⚠ WARNING: DO NOT EXCEED TEMPERATURE!

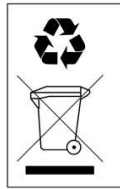
DO NOT exceed 167° F (75° C) for industrial washing machines!
Exceeding this temperature will warp resins!

Storage



Care should be taken to transport and store this system within a temperature range of 5° F to 113° F (-15° C to 45° C); humidity 10% RH to 90% RH (non-condensing).

Cart Disposal



Dispose of this cart according to local guidelines and regulations for disposal of electronic equipment. For more information contact Capsa Healthcare Customer Service at: 1-800-437-6633.

This page is intentionally left blank.



Customer Service & Parts

800-437-6633

Email: field.service@capsahealthcare.com

<https://www.capsahealthcare.com/service-support/>

California Proposition 65

This product or its power cord may contain chemicals known to the state of California to cause cancer and birth defects or other reproductive harm. Wash hands after handling.