



CAPSAHEALTHCARE

M40 Computer Carts

User Manual



Elevating performance, every day.

Warnings



IMPORTANT – Indicates a situation that does not present any hazard but is very important in maintaining a well functioning workstation.



ATTENTION – Consult manual to avoid a potentially hazardous situation which may result in minor or moderate injury.



ELECTRICAL – Indicates an impending electrical hazard which, if not avoided, may result in personal injury, fire and/or death.

- The supplied power cord is rated for medical use. Connecting the cord to an outlet that is not medical grade (indicated with a green dot) will not ensure grounding protection.
- Where the integrity of the external protective earth ground conductor arrangement is in doubt, the equipment shall be operated from its internal electrical power source (battery).
- Power cord, USB extension, and workstation are for indoor use only. **DO NOT** operate outdoors.
- Keep power cord away from water. **DO NOT** plug cord into outlet if wet.
- **DO NOT** operate product if wet. If the work station becomes wet, unplug it immediately, wipe off any excess liquid, and allow it to dry before using again.
- Inspect power cord before integration. **DO NOT** use power cord if damaged.
- Fully insert power cord plug into outlet. **DO NOT** unplug by pulling on cord. **DO NOT** remove, bend or modify any metal prongs or pins of power cord.
- **DO NOT** use excessive force to make mechanical or electrical connections.
- **DO NOT** obstruct the cooling vents.
- **DO NOT** use an electrical extension cord with your workstation.
- **DO NOT** use a flammable cleaner on the station as it can result in fire or explosion.
- **DO NOT** overload the cart. Weight of all customer installed technology not to exceed 30 lbs. (13.6 kg). Weight of monitor not to exceed 15 lbs. (6.8 kg).
- **DO NOT** operate the cart on an incline exceeding 10 degrees.
- **DO NOT** use the cart to power equipment that is not part of the configured cart system.
- **DO NOT** connect equipment that is not mounted on the cart into the power system outlets. The power system is designed for power cart mounted equipment only.
- Equipment not suitable for use in the presence of a flammable anesthetic fixture with metered oxygen or nitrous oxide.



Do not adjust lift mechanism until cart has been outfitted with technology. Failure to do so may cause the shuttle and work surface to rise rapidly when actuator is released potentially causing personal injury or damage to the cart.



To avoid potential electrical shock, **DO NOT** simultaneously touch any cart system components and the patient or any apparatus not connected to the cart system. Electric current may try to flow through you between the system and the other point of contact as it seeks the easiest path to ground.

Table of Contents

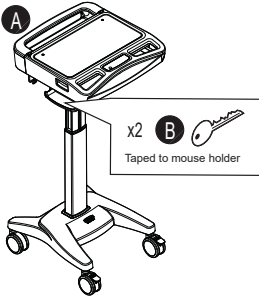
Warnings	2
Introduction	4
Box Contents	5
Specifications	6
Overall View.....	7
Get Started	8
Install the Power Cord	8
Install the Monitor Support.....	8
Setup	9
Open the Work Surface	9
Install the Keyboard Mouse and Data Cable	10
Install the laptop Power supply	11
Install the Laptop	12
Install the Monitor	13
Install the CPU.....	13
Operation	15
Operating Procedure	15
Casters.....	15
Height Adjustment.....	16
Task Light.....	16
Laptop/Storage Tray.....	17
Tech Box.....	18
Maintenance	18
Preventive Maintenance	19
Inspection Checklist	19
Troubleshooting	20
Service	20
Service Request	20
Service Level Commitment.....	20
Cleaning	21
Recommendations	21
Cleaning of High Touch Point Items	21

Transport/Storage/Disposal	22
Transport/Storage.....	22
Cart Disposal.....	22
Standards Compliance	22
Test Compliance.....	22
Product Classification	22
Warranty	23
Limited Warranty for M40 Computer carts	23
Service Details.....	23

Introduction

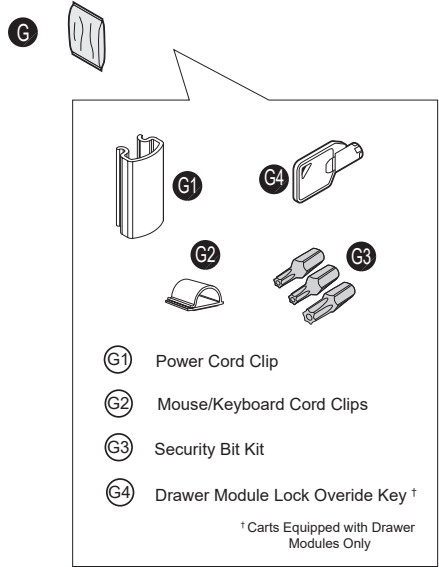
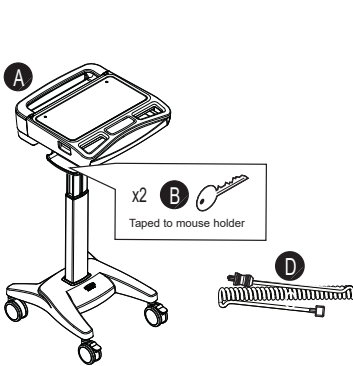
BOX CONTENTS

Laptop Cart

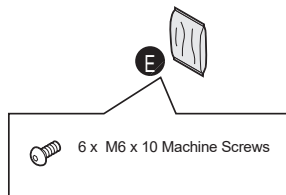
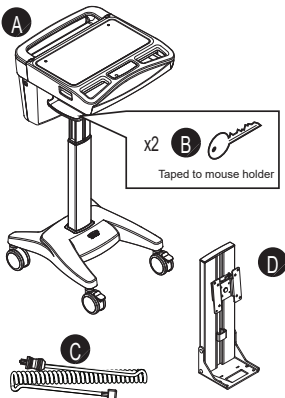


- (A)** M40 Cart
- (B)** Security Keys
- (C)** Power Cord
- (D)** Monitor Support
- (E)** Mounting Screws
- (F)** M40 User Manual
- (G)** Accessory Kit

Laptop Cart with Power Cord Kit



LCD & CPU Cart



Introduction

SPECIFICATIONS

Common Specifications

Base Size	17" x 19" (43 cm x 48 cm)
Weight	Configurations starting at 53 lb (28.6 kg)
Height Adjustment	16" (40.5 cm)
Laptop/Storage Tray	16" x 12" x 1.5" Accommodates up to 17" laptop or tablet computer
Work Surface	20" W x 11" D (50.8 cm W x 27.9 cm D)
Keyboard Platform	Accommodates 1.75" H x 18" W x 8" D (4.5 cm x 45.7 cm x 20.3 cm) USB keyboard
Mouse Area	Bi-directional mouse pad 8.5" x 9.5" (21.5 cm x 24.1 cm)
USB Powered Task Light	USB A to Mini-B
Document cover	19.5" x 9.75" (99.5 cm x 24.75 cm)

Laptop Cart with Power Cord Kit

Power Supply Compartment	20" x 5.75" x 1.75"
Power Cord	2.5 ft (.75 m) hospital grade spiral cord – extends to 8 ft (2.4 m), recharges on board technology, 120/240 Vac, 6.3A, 50/60 Hz
Power Strip	3 - NEMA 5/15 outlets with inline fusing

LCD & CPU Cart

Tech Box	14.5" x 9.4" x 2.7" (36.8 cm x 23.8 cm x 6.9 cm)
LCD Monitor Mount	15 lbs (6.8) kg max.
Power Cord	2.5 ft (.75 m) hospital grade spiral cord – extends to 8 ft (2.4 m), recharges on board technology, 120/240 Vac, 6.3A, 50/60 Hz
Power Strip	3 - NEMA 5/15 outlets with inline fusing

STATEMENT OF USE

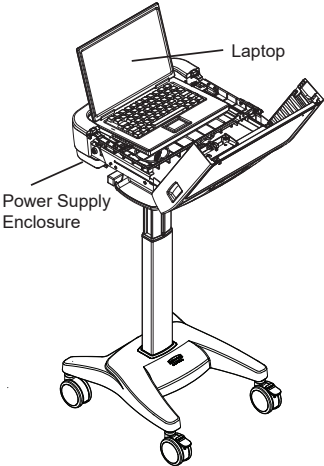
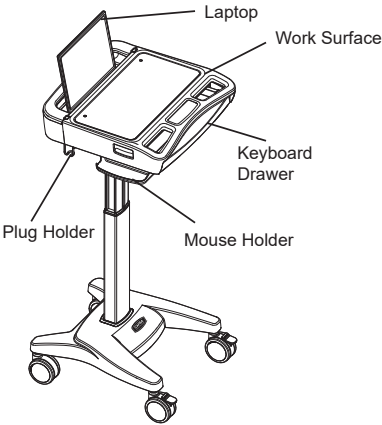
The M40 Mobile Computing Cart is designed and manufactured by Capsa Healthcare. Capsa Healthcare's goal is to elevate your performance by offering innovative solutions that positively impact clinical effectiveness and enhance medication management processes throughout all healthcare environments.

- The M40 Mobile Computer Cart is a mobile computing workstation cart designed for safe use in general patient areas for the purpose of clinical data entry and retrieval as well as medication delivery
- The M40 Mobile Computer Cart is not intended for home use
- The M40 Mobile Computer Cart has no potential electromagnetic or other interference risks when operated according to guidelines covered in this instruction manual

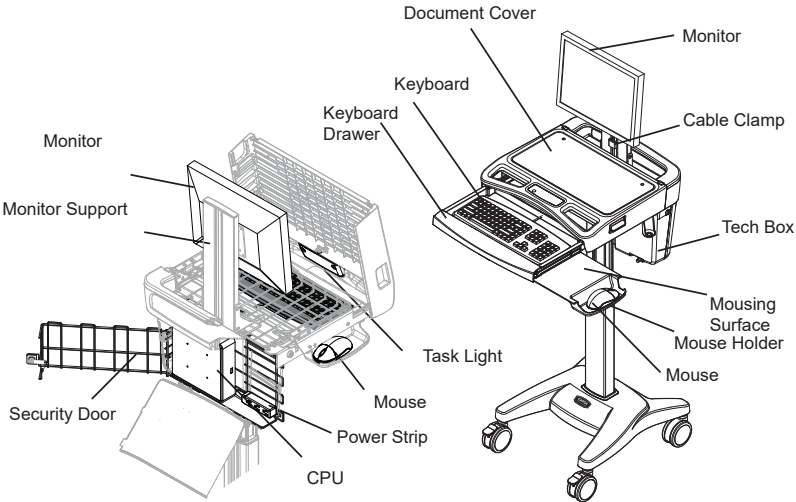
Introduction

OVERALL VIEW

Laptop Cart

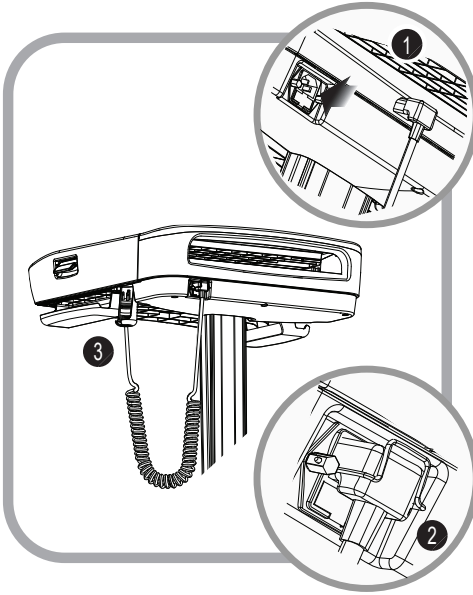


LCD & CPU Cart



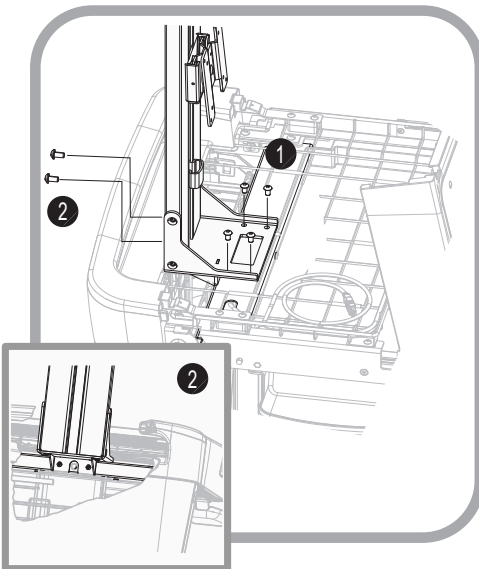
Get Started

INSTALL THE POWER CORD



1. Plug the power cord into the computer cart.
2. Position the bale to secure the power cord.
3. Stow the plug in the holder.

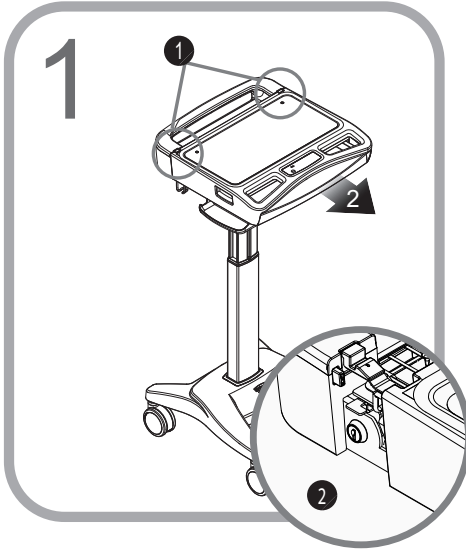
INSTALL THE MONITOR SUPPORT



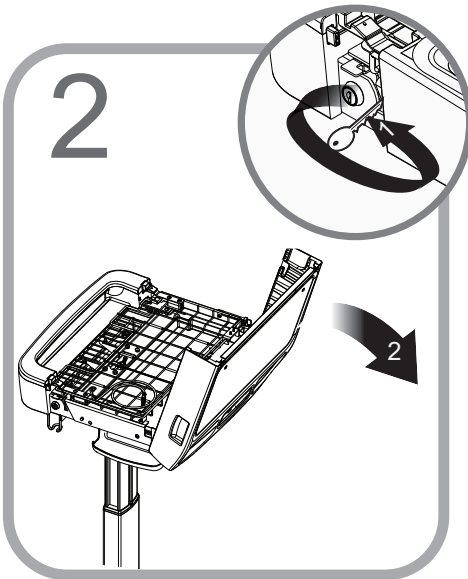
1. Install the monitor support with four screws as shown. **Do not tighten.**
2. Install 2 screws as shown. Tighten all 6 screws.

Setup

OPEN THE WORK SURFACE



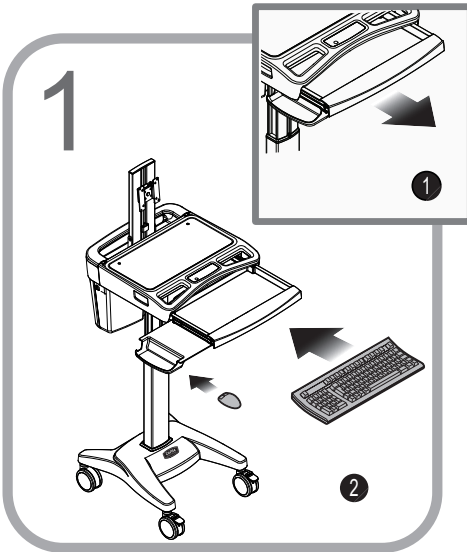
1. Press the two latches to release the work surface.
2. Pull the work surface forward to expose the locks.



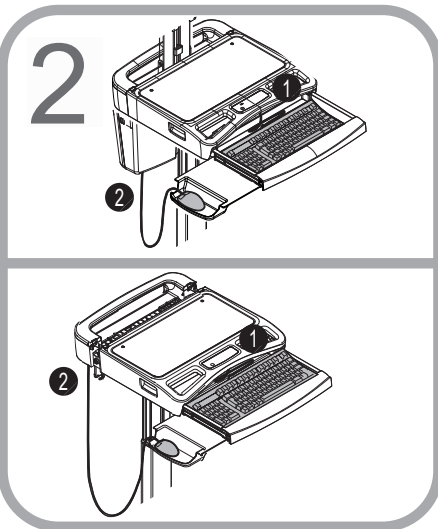
1. Unlock the work surface as shown.
2. Lift the rear of the work surface to expose the storage/laptop tray.

Setup

INSTALL THE KEYBOARD, MOUSE AND DATA CABLE



1. Open the keyboard drawer.
2. Place the keyboard in the keyboard drawer.
3. Place the mouse in the mouse holder.

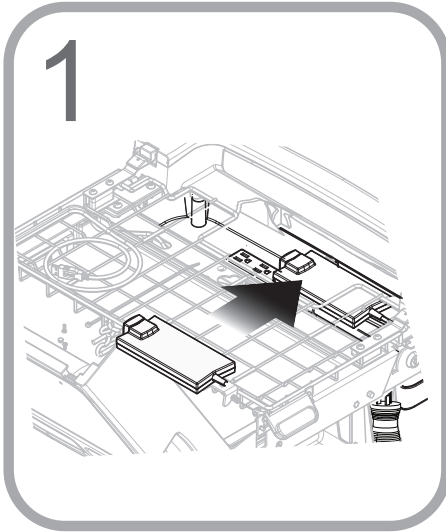


1. Route the keyboard cable to the tech box/laptop tray.
2. Route the mouse cable to the tech box/laptop tray.
3. If you are using a wired network, route a data cable to the tech box/laptop tray.

Note: Use cable ties to secure the cables to the cart for strain relief.

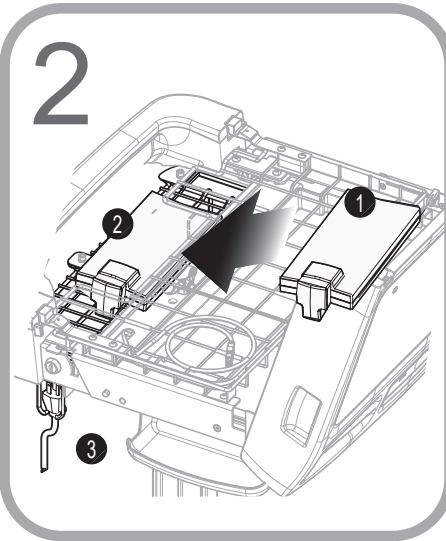
Setup

INSTALL THE LAPTOP POWER SUPPLY



Laptop Cart With the Power Cord Kit

1. Place the power supply in the power supply enclosure.
2. Route the computer power cable to the laptop tray.
3. Plug the power supply into the power strip.



Laptop Cart Without the Power Cord Kit

1. Place the power supply in the power supply tray.
2. Fasten the power supply to the tray with cable ties.

Note: Use cable ties to secure the power cord to the tray for strain relief.

3. Route the computer power cable to the laptop tray. Stow the plug as shown.

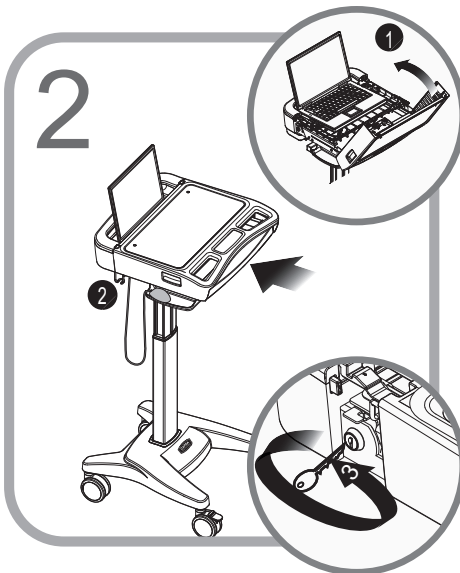
Setup

INSTALL THE LAPTOP



1. Place the laptop computer in the laptop tray.
2. Make the necessary cable and electrical connections.

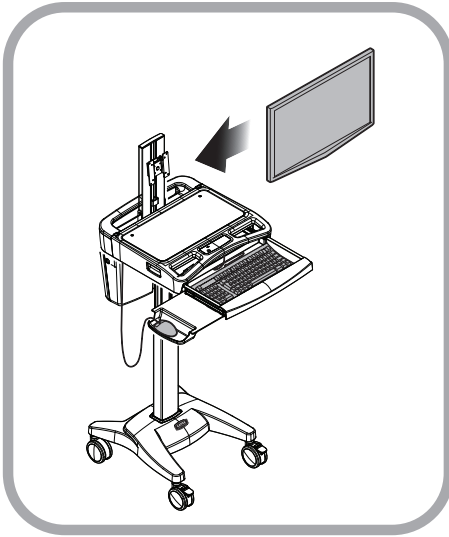
Note: The task light must be plugged into a powered USB port or it will not work. (See your computer documentation for the location of the powered USB ports.)



1. Position the laptop as shown.
2. Lower the work surface.
3. Lock and close the work surface.

Setup

INSTALL THE MONITOR



Cart with LCD & CPU Mounts

1. Mount the monitor to the cart.

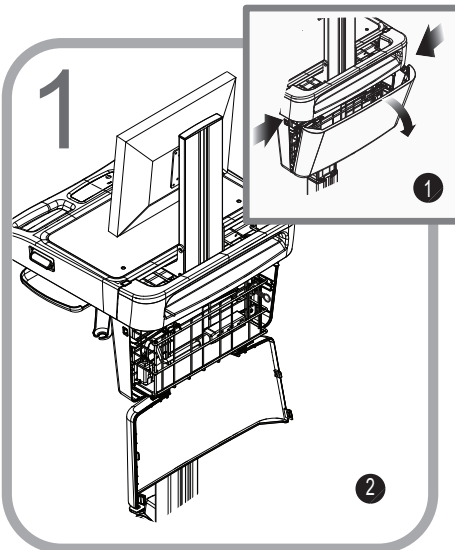
Note: Use the mounting screws supplied with the monitor.

2. Route the monitor power to the tech box.



Note: Ensure full movement of the monitor mount! To avoid damage to the monitor connections, verify there is enough cable slack to allow for full rotation of the mount and that accessories do not interfere with the range of motion.

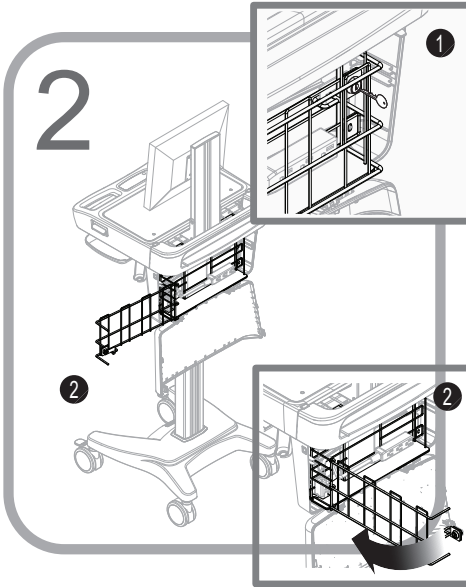
INSTALL THE CPU



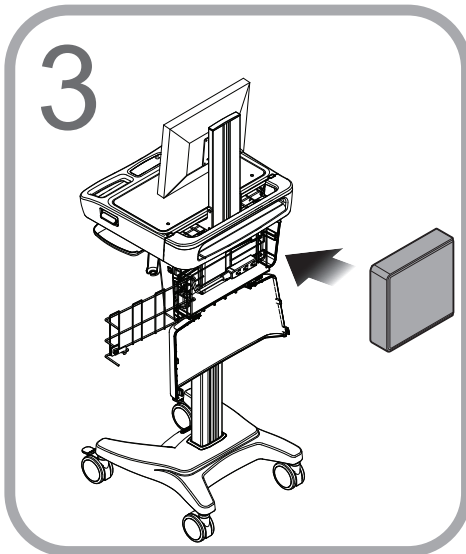
1. Press the two latches to release the tech box door.
2. Lower the door.

Setup

INSTALL THE CPU



1. Insert the key where shown
2. Rotate it clockwise/ counterclockwise to unlock the security door.
3. Open the security door by pulling it outward.



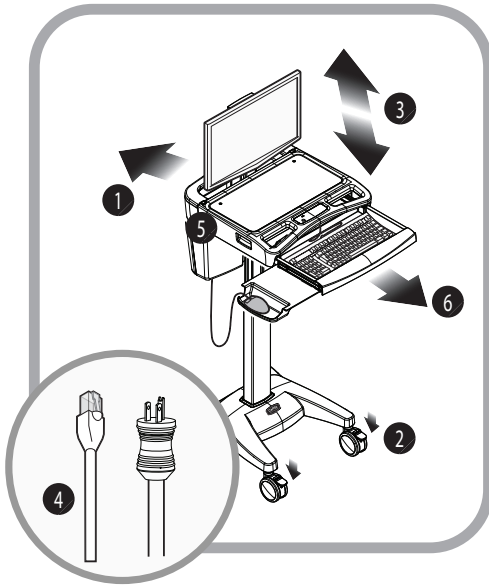
1. Place the CPU in the tech box.
2. Make the necessary electrical and cable connections.
3. Close and lock the security door.
4. Close the tech box door.
5. Lock and close the work surface.

Note: Install CPU with the power button accessible from the top.

Note: The task light must be plugged into a powered USB port or it will not work. (See your computer documentation for the location of the powered USB ports.)

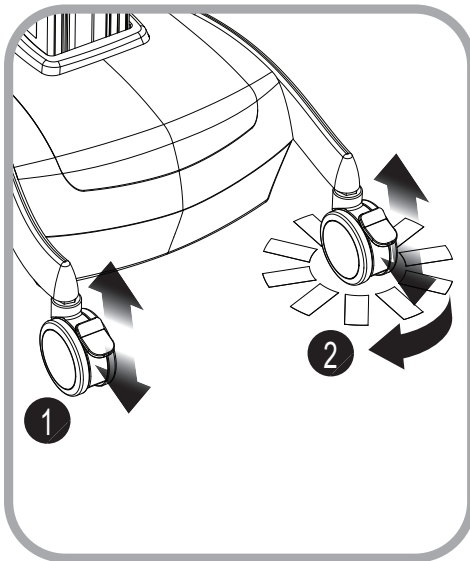
Operation

OPERATING PROCEDURE



1. Move the Cart into position.
2. Lock the casters.
3. Adjust the height of the work surface.
4. Plug in the power cord. Plug in the network cable if you are using a wired network.
5. Start the computer.
6. Extend the keyboard drawer and the mousing surface.

CASTERS



To operate braking casters:

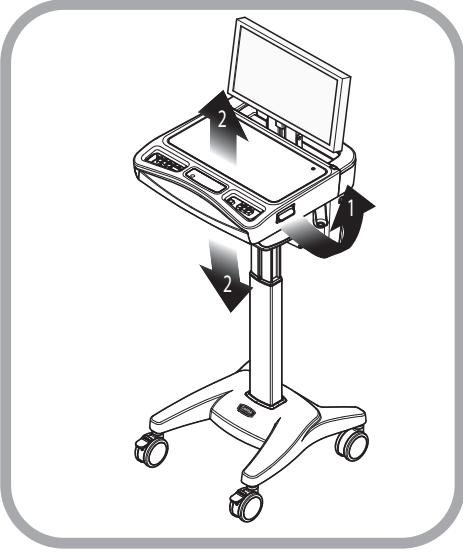
1. Lower the tab with your toe to lock a caster.
2. Lift the tab with your toe to unlock a caster.

To operate tracking casters:

1. Lower the tab with your toe to engage tracking feature.
- Note:** When the tab is lowered, the tracking caster will align to the nearest angle position.
2. Lift the tab with your toe to disengage the tracking feature.

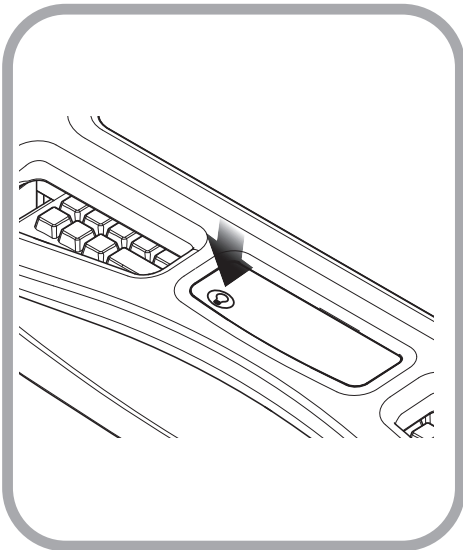
Operation


HEIGHT ADJUSTMENT



1. Hold the work surface steady and lift up and hold the height adjustment handle.
2. Raise or lower the work surface, then release the handle.

TASK LIGHT

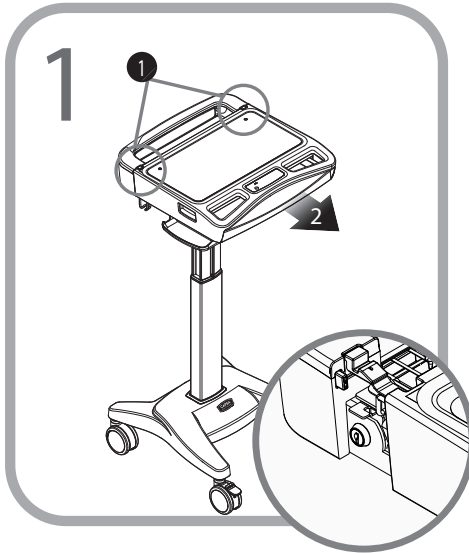


1. Press the  button to turn the task light on.
2. Press the button again to turn the task light off.
3. The task light will automatically turn off after 3 minutes.

Note: The task light must be plugged into a powered USB port or it will not work. (See your computer documentation for the location of the powered USB ports.)

Operation

LAPTOP/STORAGE TRAY



1. Press the two latches to release the work surface.
2. Pull the work surface forward to expose the laptop computer power switch and work surface locks.

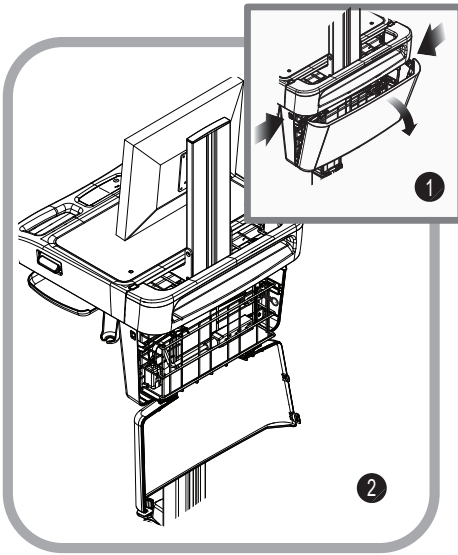
Note: If The laptop power switch is inaccessible, you will have to unlock and open the work surface.



1. Unlock the work surface locks as shown.
2. Lift the rear of the work surface to expose the Storage/Laptop Tray.

Operation

TECH BOX



Open the Tech Box

1. Press the two latches to release the tech box door.
2. Lower the door.

Close the Tech Box

Raise the door until it is latched on both sides.

Maintenance

⚠ DO NOT use the computer cart if pieces are missing or the unit is damaged. In these cases, immediately contact Capsa Healthcare Customer Service for more information at: 1.800.437.6633.

Cables: Always keep the cables neatly organized and be sure to route the cables away from moving components with wire ties or cable clips.

Electric Cables: Periodically inspect the power cord and the plug to ensure the plug is not bent and the cable is not frayed.

Preventative Maintenance

INSPECTION CHECKLIST

To protect optimal performance, Capsa Healthcare recommends a periodic inspection and preventative maintenance of your computing cart fleet. These simple steps can safeguard against breakdowns and help you realize uninterrupted workflow and cart availability.

Items	Action	Benefit
Power supply	Check voltage and current output to original power supply specifications. Inspect fan and airflow for dust and lint buildup.	Helps prevent unexpected power failures and ensures proper airflow to power system for cooling.
AC power cord and internal cables assemblies	Inspect wires and components for any damage; ensure there are no loose connectors.	Identifies potential safety issues, extends life of battery, ensures consistent recharging and optimizes workstation runtime.
Casters	Check casters for proper tightness, ensure casters are free of dirt and grime and operate smoothly.	Mitigates risk of injury due to loose casters. Ensures proper maneuverability of workstation.
Inspect base covers and hardware	Check for loose or broken covers.	Ensures proper airflow and power system cooling. Prevents unexpected power failure; mitigates chance for interrupted workflow and clinical processes.
Inspect keyboard tray movement	Check range of keyboard tray for full field of motion and stability.	Proper adjustment supports ergonomic capability that meets unique requirements of multiple users.
Inspect work surface area	Inspect work surface for cleanliness and damage.	Promotes proper infection control practices and maintains protected area for internal electrical components.
Inspect height adjustment	Check height adjustment for proper function, including full range of motion.	Facilitates simple height and ergonomic adjustments; ensures comfortable use by clinical staff.
Inspect keyboard light	Check all lighting and switch operation; confirm lights function properly.	Supports proper lighting for reading, work surface tasks, and safe cart maneuvering in low light environments.
Inspect all bins and drawers	Check functionality of bins and drawers including locking function.	Smooth operation of bins and drawers provides secure, organized storage.
Inspect mounted accessories	Check for secure fit to mount area and tighten if necessary.	Ensure stable accommodation of peripheral device holders and other accessories and supplies.

Troubleshooting

Problem	Solution
Cart Will Not Raise or Lower	Check for cable obstructions (kinks).
Cart is Hard to Push	Verify the caster locks are in the unlocked (up) position.
	Examine casters for any debris caught in or under the casters.
Keyboard Tray Does Not Raise or Lower	Inspect for cable obstructions.
	Adjust the keyboard arm tray knob counterclockwise to loosen.
	Adjust the keyboard arm tray knob clockwise to tighten.
Task Light Does Not Work	Make sure USB cable is plugged into a powered USB port.
Computer/Monitor will not power up.	Check that cart is plugged in.
	Check that device power cables are connected.
	Check that wall outlet has power.
	Check fuses at cart power inlet.
Keyboard Does Not Work Properly	Ensure the USB hub is powered and plugged into the power supply (green light indicator).
	Make sure the keyboard is plugged into the USB hub.
	If the problem persists, plug the device into another car to see if it functions properly.
Computer Does Not Work Properly	Verify the computer has power.
	If the problem persists, plug the device into another cart to verify it is functioning properly.

Service

SERVICE REQUEST

Please visit our website at: www.capsahealthcare.com/request-service to file a request for parts.

SERVICE LEVEL COMMITMENT

Capsa Healthcare is committed to providing best-in-class service. This document details our standard warranty and instructions on how to request service using our customer support system.

Cleaning



CAUTION: Due to the close proximity of electrical power and equipment, flammable cleaners should never be used on the cart!

- Verify that your cart is unplugged from the wall outlet before cleaning
- Allow your cart to dry completely before plugging the power cord into a wall outlet
- When cleaning the cart, wipe off the surface with a damp cloth and thoroughly dry
- Never immerse the cart or its components in liquid or allow liquids to flow into the cart
- Never use steel wool or other abrasive materials as these could damage the surface finish
- Before using any cleaner on the cart, first test it on a small area to ensure that the surface is not harmed
- These guidelines cannot guarantee infection control. The hospital's Infection Control Administrator should be consulted for cleaning procedures and processes.

RECOMMENDATIONS

- Clean plastic components with diluted, non-abrasive solutions. Suggested cleaners are: water, soap, diluted bleach and alcohol solutions.
- Remove pen and dry erase marker stains with a soft cloth and 91% isopropyl alcohol
- Remove iodine stains with a soft cloth and any of the cleaners suggested above
- DO NOT use the following chemicals to clean your cart: acetone, mineral spirits, abrasive cleansers, paint thinner or any other harsh or toxic chemicals

CLEANING OF HIGH TOUCH POINT ITEMS

1. The work surface is fully removable to facilitate cleaning.
2. The document protector is removable (pull up on the back corners). To refasten, press the nylon fastener into the hole in the work surface. This is a replaceable item.
3. The back handle is fully removable.
4. Rear bins can be removed by grabbing the outside edge of the bin and lifting up.
5. The keyboard tray and mouse pads are composed of melamine resin and are easy to wipe down.

Transport/Storage/Disposal

TRANSPORT/STORAGE

Care should be taken to transport and store this system within a temperature range of 32°F to 90°F (0°C to 32°C); Humidity 20% RH to 95% RH non-condensing.

CART DISPOSAL

Dispose of this cart according to local guidelines and regulations for disposal of electronic equipment. For more information contact Capsa Healthcare Customer Service at: 1-800-437-6633.

Standards Compliance

TEST COMPLIANCE:

NRTL

- UL 60601-1:2003
- CAN/CSA-C22.2 No.601.1-M90
- IEC 60601-1/A2:1995
- EN 60602-1/A2:1995

Standard for Safety Medical Electrical Equipment, Part 1: General Requirements for Safety - Collateral Standard: Safety Requirements for Medical Electrical Systems

FCC

PART 15, Subpart B, Class A – Unintentional Radiators

PRODUCT CLASSIFICATION:

- Class 1/ Internally powered device with no applied parts
- This equipment is designed for continuous operation
- Class A, Group 1 ISM Equipment
- This device is classified IPX0 for water ingress
- Input 120 Vac, 60 Hz, 5.1 Amp North America
- Input 230 Vac, 50 Hz, 2.5 A International Models

Warranty

LIMITED WARRANTY FOR M40 COMPUTER CART

Capsa Healthcare (CHC) is pleased to offer a three-year warranty on parts.

If during the warranty period this CHC product proves defective in materials or workmanship under normal use by the original purchaser, please contact CHC technical support at www.capsahealthcare.com/service (please be sure to complete all information, including product serial number, description of the issue, and full contact information). CHC will determine, at its sole discretion, how to best address your warranty issue, which may include sending you a replacement part covered under warranty or for sale. CHC reserves the right to require proof-of-purchase prior to honoring any warranty request. This warranty does not cover product abuse, modification, failure to adhere to product instructions, or improper operation/misuse. CHC SHALL NOT BE LIABLE FOR ANY CONSEQUENTIAL OR INCIDENTAL DAMAGES WHATSOEVER. Some states do not allow the exclusion or limitation of incidental or consequential damages, so the above limitation or exclusion may not apply to you. This warranty gives you specific legal rights and you may also have other rights which vary from state to state or country to country.

SERVICE DETAILS

Consumable components are not covered under warranty and include:

- Locks and keys
- Document cover

Other standard components will be replaced under the applicable warranty following a filed service request.

*The above terms for replacement parts applies to facilities located in the United States. All other customers should contact the appropriate reseller for the terms of part replacement.

All terms are subject to change without notice.



800.437.6633
www.CapsaHealthcare.com