

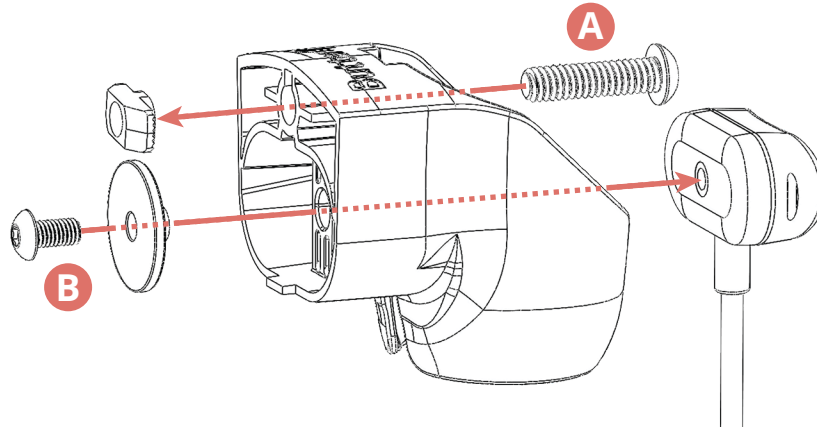
# Tryten Bracket for Butterfly iQ3

## Attaching the iQ3 bracket and charger

The iQ3 Bracket kit includes the bracket, two screws, one Z-nut, one large-diameter washer, and a hex key.

Be sure you have the charger and power adapter that came with your Butterfly iQ3 probe.

1. Remove the channel cover from the cart pole.
2. Insert the longer screw through the hole in the bracket (A). Thread the Z-nut onto the screw but keep it loose.



3. Place the charger into the bracket so that the screw holes line up.
4. Insert the short screw into the washer, through the flat side, then insert the screw through the hole in the oval area at the back of the bracket (B).

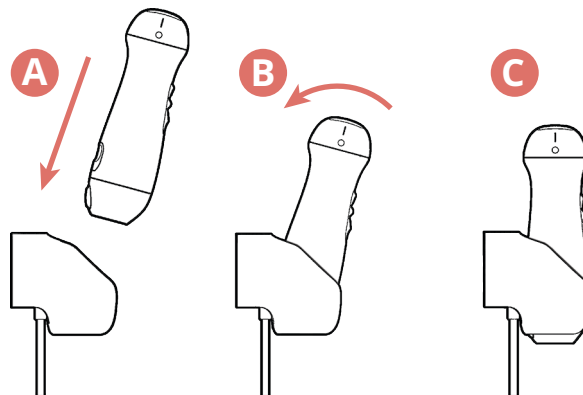
Make sure the protruding shank of the washer fits snugly into the hole in the bracket.

Use the supplied hex key to attach the charger firmly to the bracket.

5. Insert the Z-nut into the channel on the cart pole. Move the bracket with charger up or down to the preferred height.
6. Insert the hex key into the Z-nut's screw, press firmly, and turn the hex key clockwise until the Z-nut is tight.
7. Press the charger cable into the channel, then replace the channel cover.
8. Open the utility box on the pole and plug in the iQ3 power adapter.
9. Thread the charger cable through the hole at the top of the utility box.
10. Plug the charger cable into the power adapter, then close the utility box.

### To store and charge the probe:

1. With the probe lens facing up, angle the probe slightly away from the pole.
2. Insert the bottom of the probe into the bracket (A) so that it connects to the charger's magnetic contacts.
3. Rotate the probe (B) towards the cart's pole so that it's parallel (C) with the pole.



**IMPORTANT:** Always clean and disinfect your probe according to manufacturer's instructions before storing it in the bracket.

### To remove the probe:

1. Rotate the probe forward, away from the pole.
2. Pull the probe up and out of the charging bracket.

**tryten**  
Mobility Platforms by Capsa Healthcare

www.CapsaHealthcare.com | 800.437.6633